

HMA

TYPE	Frequency Hz	Speed Rpm	Power Kw	Absorbtion A	Power Fac. Cos Ø	Voltage V	Weight Kg
HMA 12	200	12000	0.16	1.15	0.70	220	2,1
	300	18000	0.22	1.7	0.70		
	400	24000	0.22	1.7	0.70		
HMA 22	200	12000	0.22	1.5	0.70	220	2,3
	300	18000	0.33	2.1	0.70		
	400	24000	0.33	2.1	0.70		
HMA 32	200	12000	0.37	2.3	0.70	220	2,6
	300	18000	0.55	3.2	0.70		
	400	24000	0.55	3.2	0.70		
HMA 42	175	10500	0.45	2.3	0.70	220	2,9
	200	12000	0.55	2.6	0.72		
	250	15000	0.60	3.4	0.72		
	300	18000	0.75	3.7	0.72		
	400	24000	0.75	3.7	0.72		
HMA 52	100	6000	0.45	3.1	0.68	220	3,2
	200	12000	0.75	3.4	0.74		
	300	18000	1.10	4.8	0.73		
	400	24000	1.10	4.8	0.73		

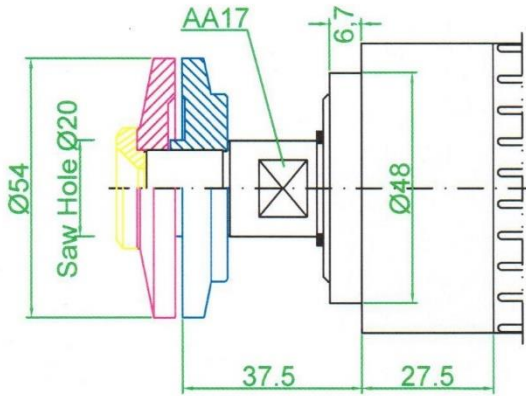
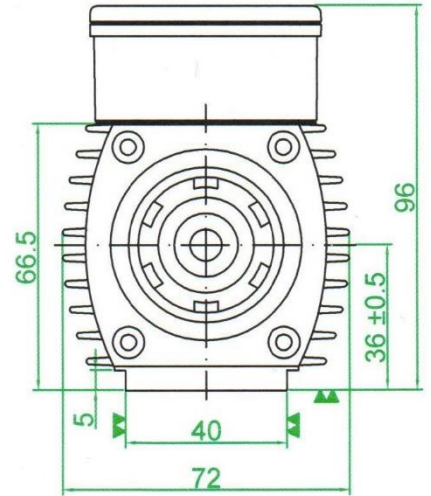
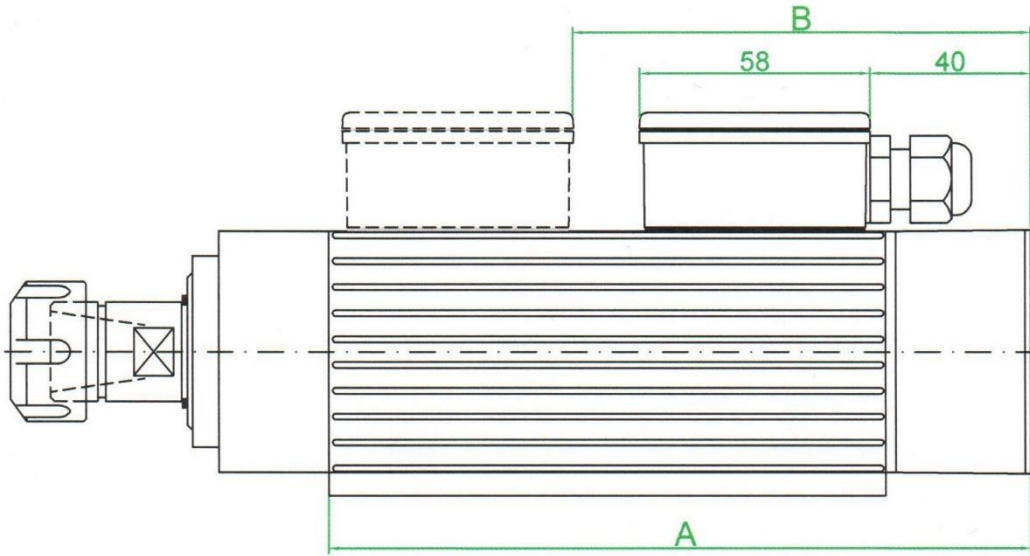


CKM

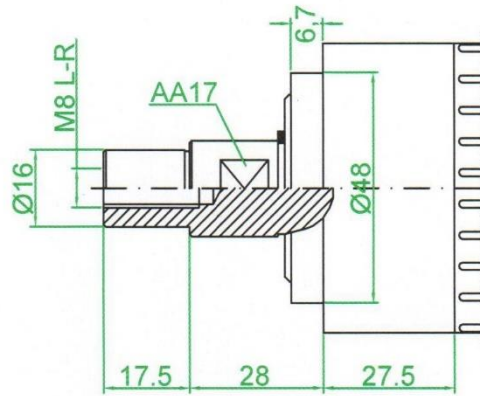


AK

HMA - AK

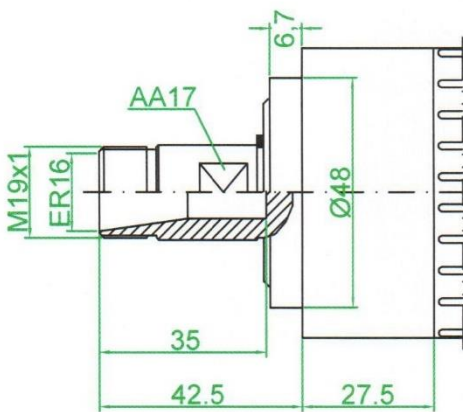


FLANGE

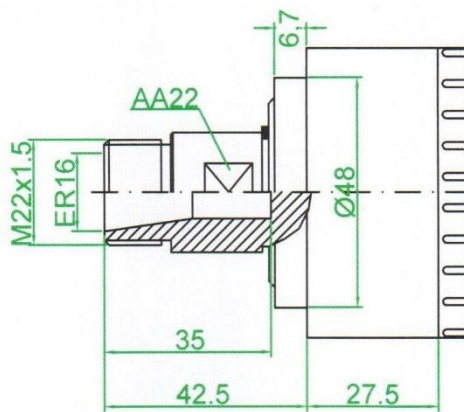


STANDARD

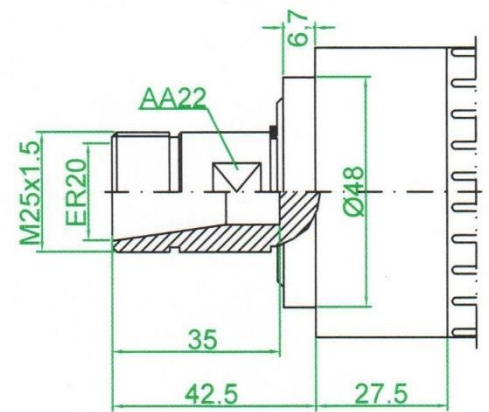
TYPE	A	B
HMA 12 s	131.5	70
HMA 12	136.5	75
HMA 22	146.5	85
HMA 32	161.5	100
HMA 42	176.5	115
HMA 52	196.5	135



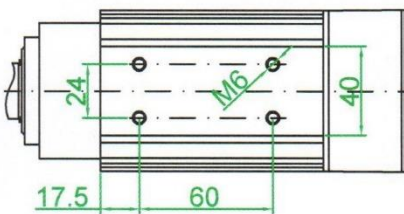
ER16 mini



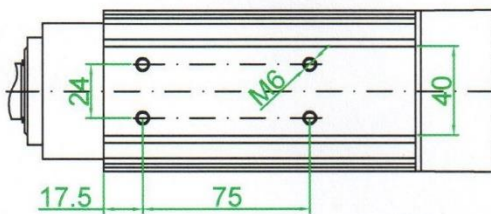
ER16



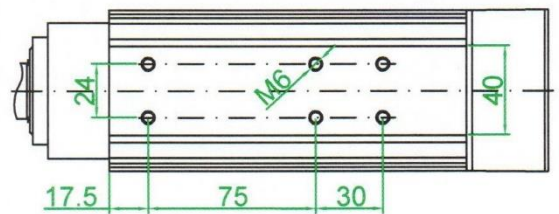
ER20



HMA12S / HMA12

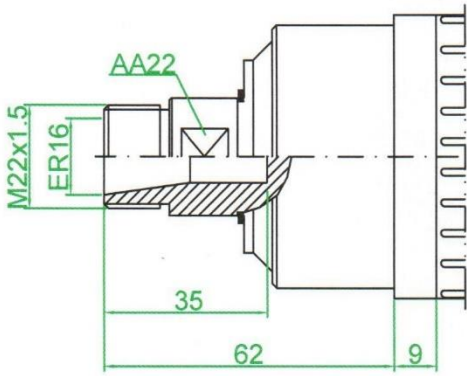
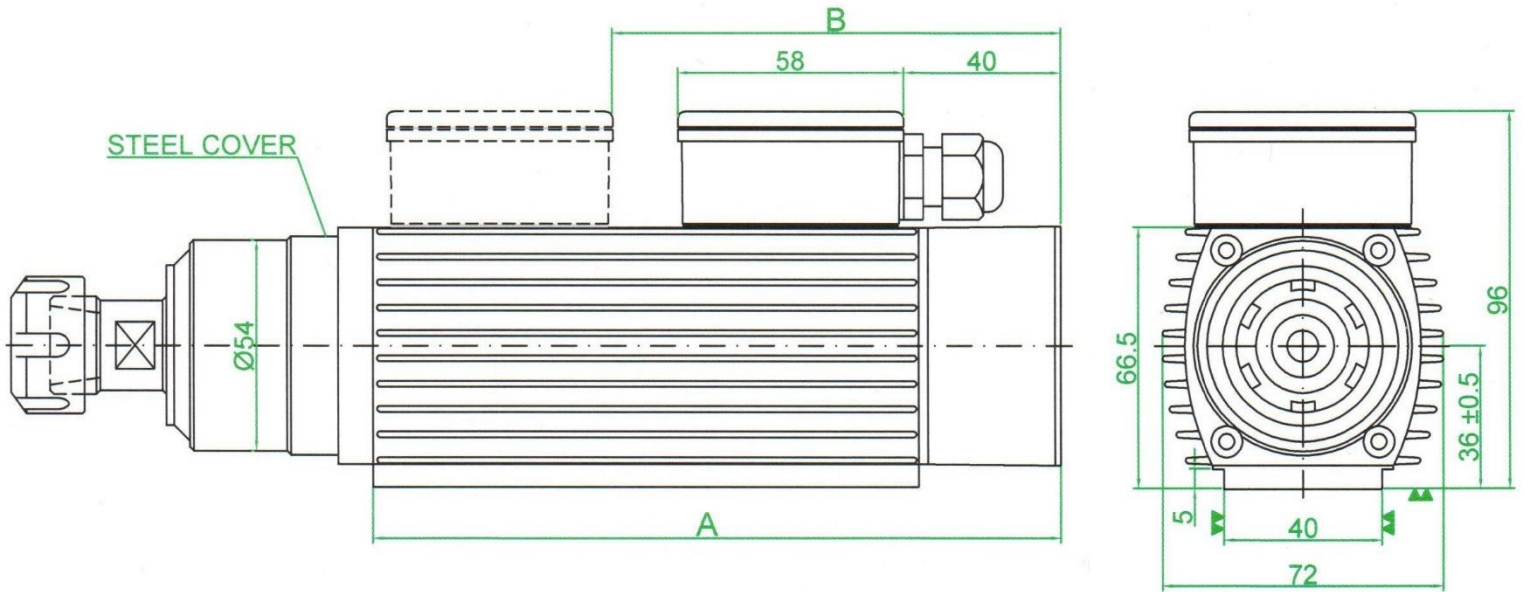


HMA22 / HMA32 / HMA42

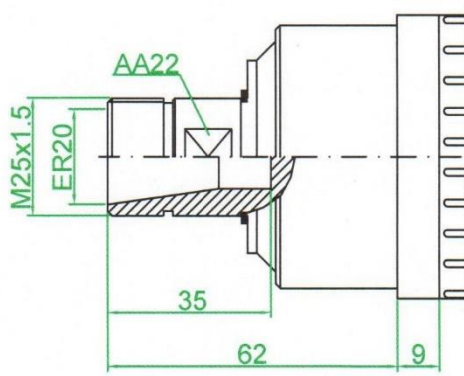


HMA52

HMA - CKS/CKM

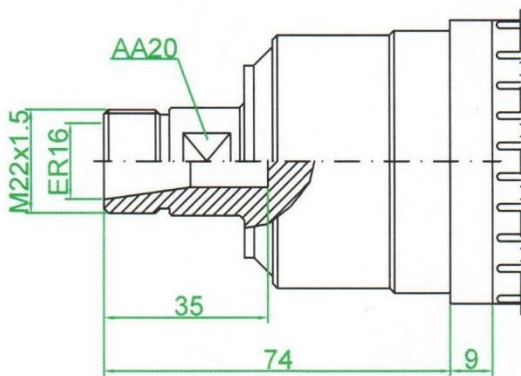


CKS / ER16

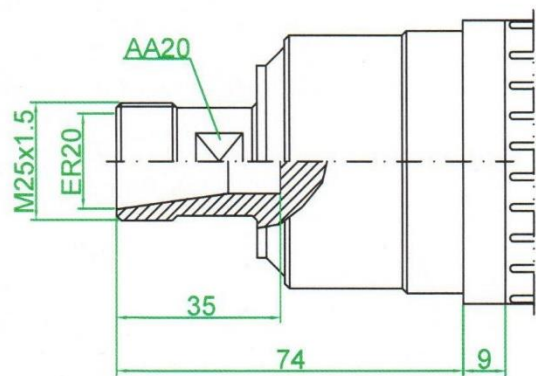


CKS / ER20

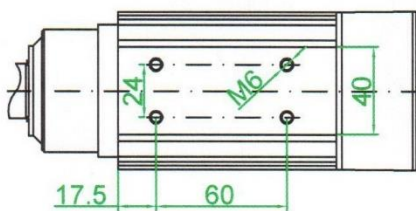
TYPE	A	B
HMA 12 s	131.5	70
HMA 12	136.5	75
HMA 22	146.5	85
HMA 32	161.5	100
HMA 42	176.5	115
HMA 52	196.5	135



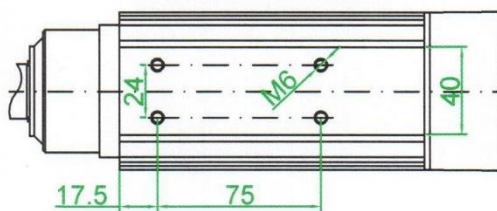
CKM / ER16



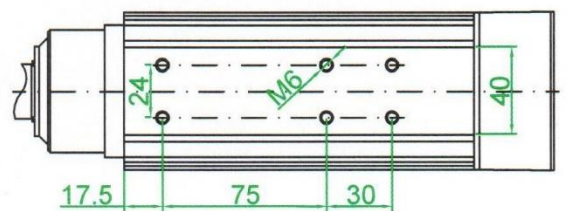
CKM / ER20



HMA12S / HMA12



HMA22 / HMA32 / HMA42



HMA52