

H M B

TYPE	Frequency	Speed	Power	Voltage	Absorbtion	Power Fac.	Weight
	Hz	Rpm	Kw	V	A	Cos Ø	
HMB 22	200	12000	1.1	220	5.6	0.75	5,3
	300	18000	1.1	220	5.7	0.75	
	300	18000	1.4	220	6.1	0.75	
	400	24000	1.5	220	6.3	0.75	
HMB 32	100	6000	0.75	220	3.3	0.75	6,3
	200	12000	1.5	220-380	6.3 - 3.6	0.79	
	300	18000	1.5	220-380	6.4 - 3.6	0.80	
	400	24000	2.0	220	9.0	0.80	
	400	24000	2.2	380	5.2	0.80	
HMB 42	100	6000	0.95	220	4.4	0.76	7,0
	200	12000	2.2	220-380	9.8 - 5.7	0.79	
	300	18000	2.2	220-380	9.8 - 5.7	0.82	
	400	24000	2.5	220	9.8	0.82	
	400	24000	2.5	380	6.0	0.82	
HMB 52	100	6000	1.1	220	4.8	0.77	8,0
	200	12000	2.6	380	6.5	0.79	
	300	18000	3.0	380	7.2	0.84	
	400	24000	3.0	380	7.2	0.84	

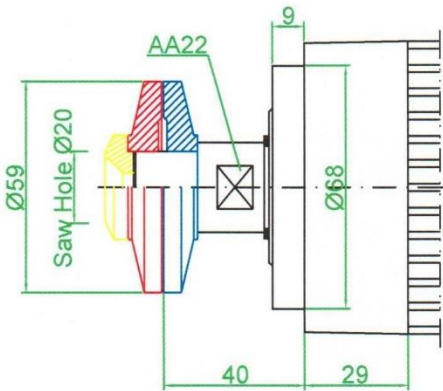
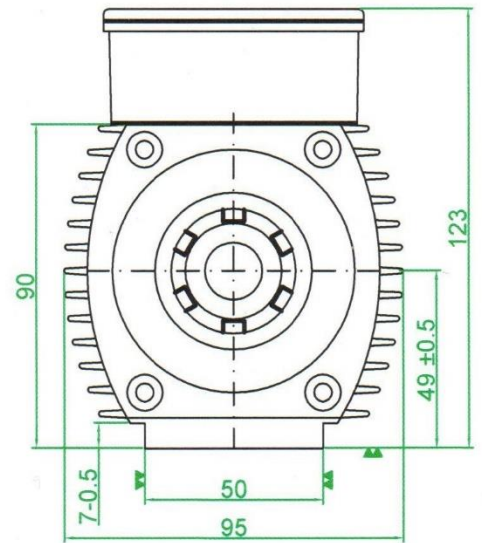
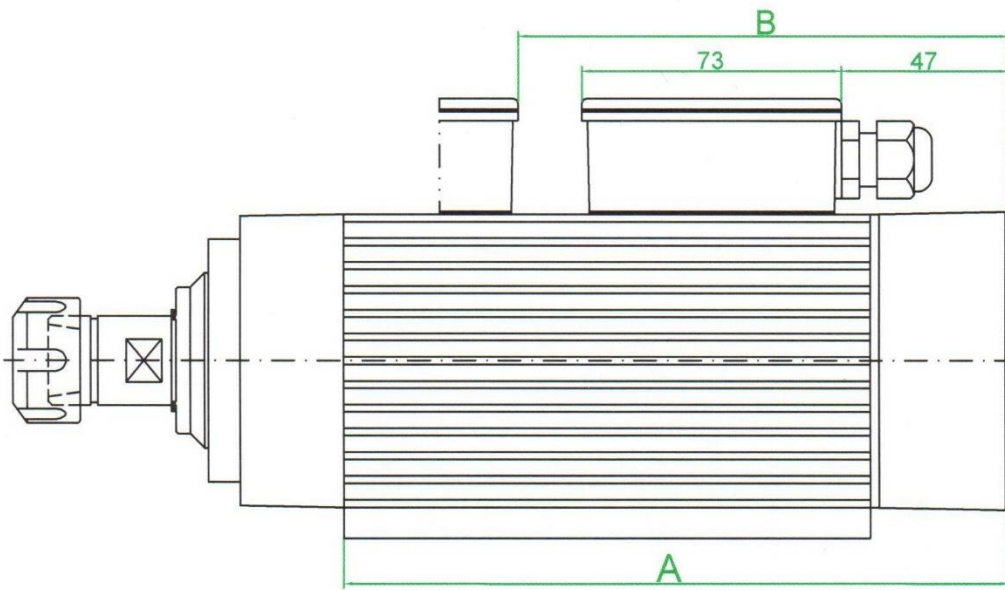


CKS

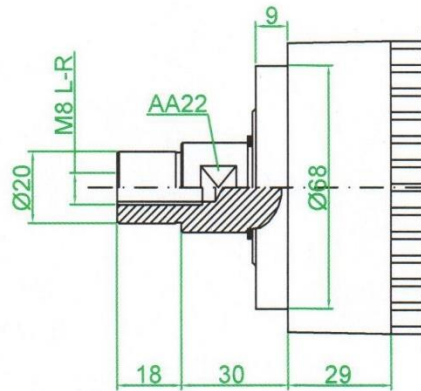


AK

HMB - AK

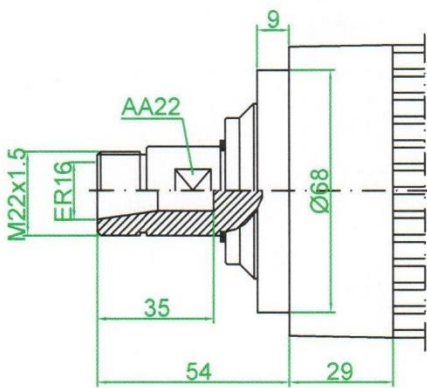


FLANGE

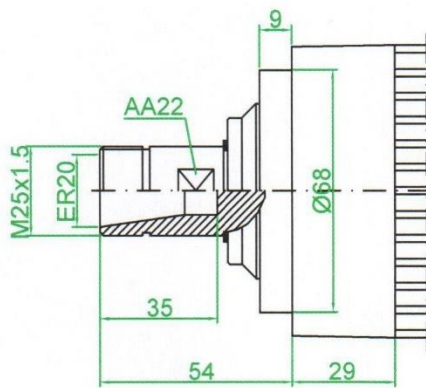


STANDARD

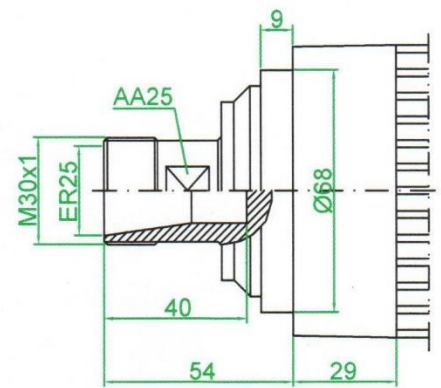
TYPE	A	B
HMB 12	167	86
HMB 22	187	106
HMB 32	217	136
HMB 42	237	156
HMB 52	267	186



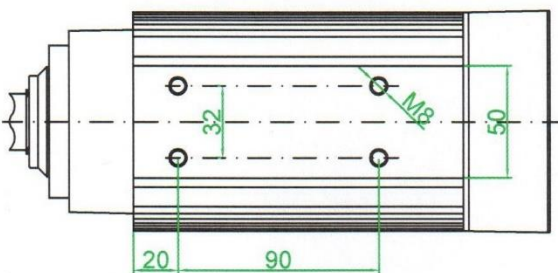
ER 16



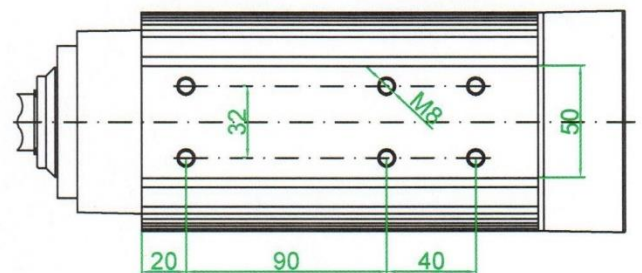
ER 20



ER 25 mini

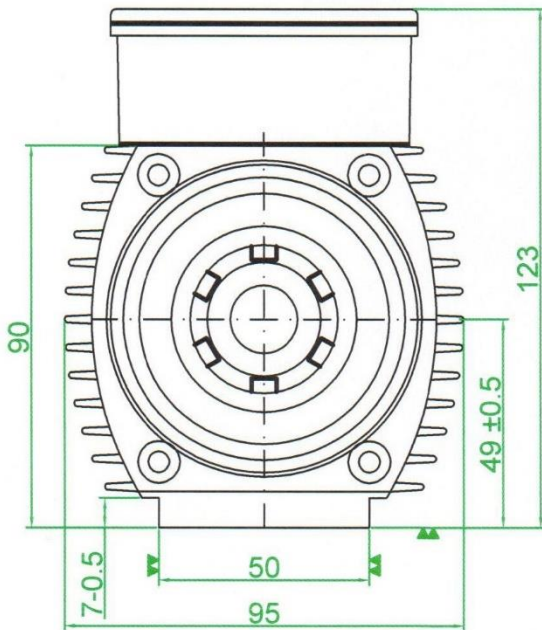
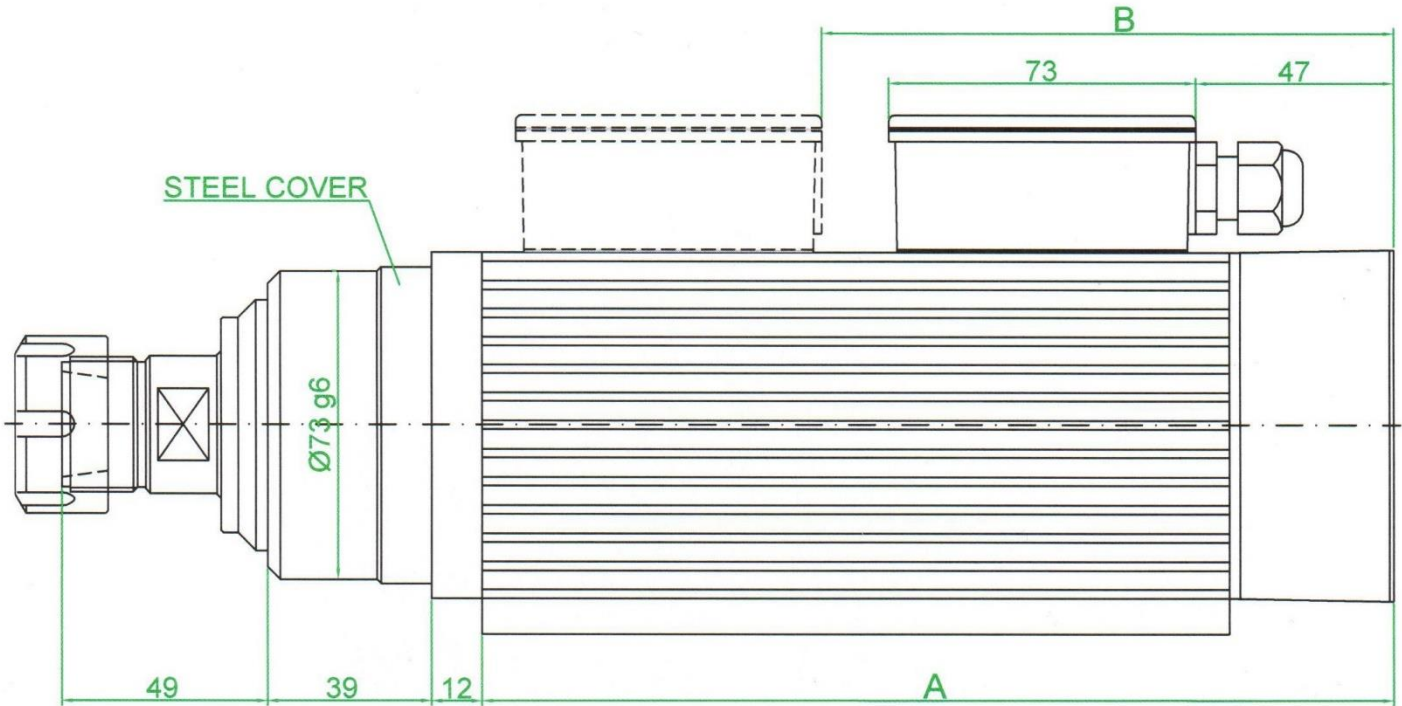


HMB12 / HMB22



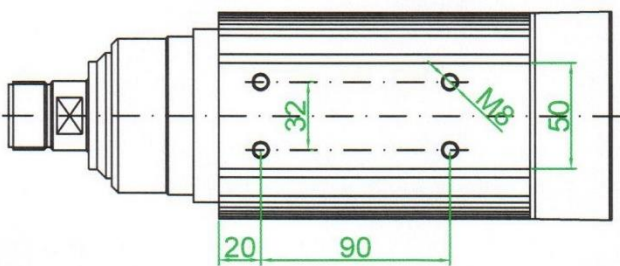
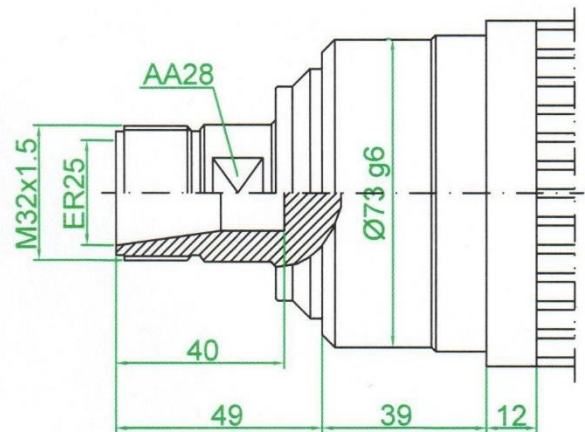
HMB32 / HMB42 / HMB52

HMB - CKS

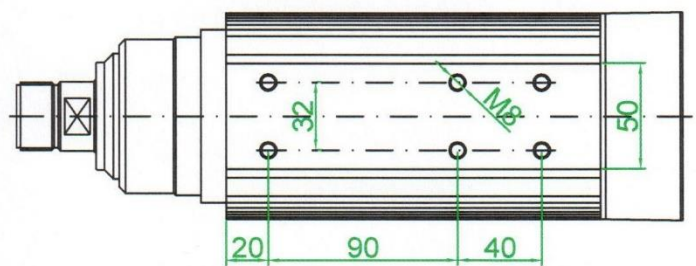


TYPE	A	B
HMB 12	167	86
HMB 22	187	106
HMB 32	217	136
HMB 42	237	156
HMB 52	267	186

ER 25



HMB12 / HMB22



HMB32 / HMB42 / HMB52